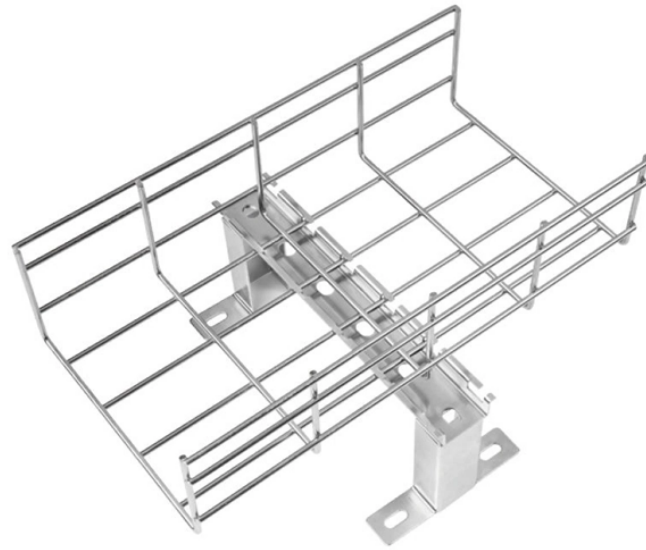


What is the size of the small D-type FC fiber optic adapter



Overview

FC round fiber optic adapters come with a choice of D Flange (?)

8. ● Brief Introduction: The FC adapter are mainly used for single mode applications where precision is required. All adapters feature a metal housing and ceramic sleeves, with an optional bronze housing for multimode FC fiber adapters.



What is the size of the small D-type FC fiber optic adapter



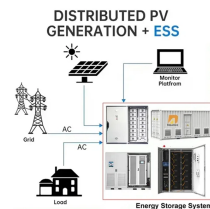
Fiber optic adapters are widely used in optical communication system, LAN ...



FC round fiber optic adapters are available with a choice of D Flange ($\varnothing 8.85 \times 7.95\text{mm}$) or double D Flange ($\varnothing 9.35 \times 7.65\text{mm}$), featuring nickel-plated brass housing for enhanced corrosion resistance.



It includes a Zirconia ceramic alignment sleeve, which ensures precise fiber core alignment to minimize insertion loss and maintain signal integrity. This adapter is suitable for both single-mode and ...



ACON OPTICS offers a range of high quality FC adapters in D type, Double D type, Square type and come with metal housing and precision alignment zirconia sleeves for high reliability and better ...



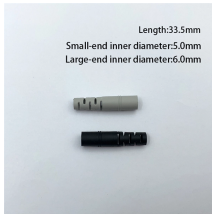
Buy the high quality and highly efficient FC UPC small D type 11mm flange ...



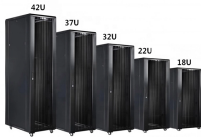
FC round fiber optic adapters come with a choice of D Flange ($\varnothing 8.85 \times 7.95\text{mm}$) or double D Flange ($\varnothing 9.35 \times 7.65\text{mm}$), and feature nickel plated brass housing for corrosion resistance.



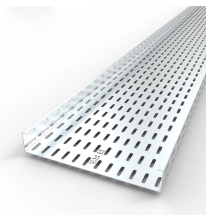
Buy the high quality and highly efficient FC UPC small D type 11mm flange simplex singlemode/multimode metal adapter with our factory. We are one of the leading manufacturers and ...



FC round fiber optic adapters come with a choice of D Flange ($\varnothing 8.85 \times 7.95\text{mm}$) or double D Flange ($\varnothing 9.35 \times 7.65\text{mm}$), and feature nickel plated brass housing for corrosion resistance.



Fiber optic adapters are widely used in optical communication system, LAN cabling and optical test equipment, etc.. They can connect fiber optical cable quickly and that's easy to operate.



FC round fiber optic adapters come with a choice of D Flange ($\varnothing 8.85 \times 7.95\text{mm}$) or double D Flange ($\varnothing 9.35 \times 7.65\text{mm}$), and feature nickel plated brass housing for corrosion resistance.



The FC connector is a fiber-optic connector with a threaded body, which was designed for use in high-vibration environments. It is commonly used with both single-mode optical fiber and polarization ...



Compare LC, SC, FC & ST fiber-optic connectors — size, coupling, and ideal use cases — to help you choose the best fit for your network setup.

Contact Us

For more information, pricing, or custom solutions, please contact us:

Website: <https://samastersbaseball.co.za>

Email: sales@samastersbaseball.co.za

Phone: +27 63 874 2095

Address: 15 Innovation Drive, Technopark, Stellenbosch, 7600, South Africa

This document is for informational purposes only. Specifications subject to change without notice.

