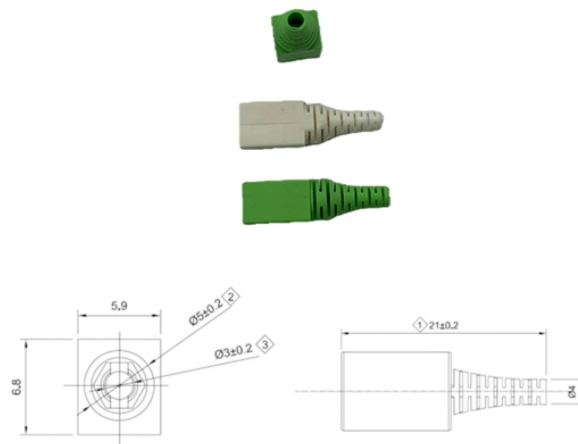


Single-module fiber optic



Overview

In, a single-mode optical fiber, also known as fundamental- or mono-mode, is an designed to carry only a single of light - the. Modes are the possible solutions of the for waves, which is obtained by combining and the boundary conditions. These modes define the way the wave travels through space, i.e. how the wave is distributed in space. Waves can have the same mode but have different frequencies. This is the case i.

Single-module fiber optic



Discover the differences between single-mode and multimode SFP transceivers. Learn which one suits your network needs for optimal performance and connectivity.



OverviewHistoryCharacteristicsConnectorsFiber optic switchesQuadruply clad fiberExternal links



Single Mode SFP Fiber Module is a cost effective way to connect a single network device to a wide variety of fiber cable distances and types. The primary goal of the transmitter enables the bandwidth ...



In fiber-optic communication, a single-mode optical fiber, also known as fundamental- or mono-mode, is an optical fiber designed to carry only a single mode of light - the transverse mode.



Optical signals are transmitted directly without repeater amplification. Gigabit single-mode single-core optical fiber modules usually have the following specifications: multi-mode 550m, single ...



Learn how to select the right SFP module for single-mode and multimode fiber by understanding wavelength, distance, compatibility, and industrial network requirements.



Learn what a single mode SFP transceiver is, how it works, key specs, common types, and real-world use cases for long-distance fiber optic networks today.



Choosing the right fiber optic transceiver is essential for network engineers deploying high-speed data links in enterprise and data center environments. This article focuses on single ...



Discover high-performance single mode SFP modules for your network. Compatible with major brands like Cisco, Ubiquiti, and more.



Single mode fiber explained: find out how it works, why it's ideal for high-speed connections, and what sets it apart from other fiber optic cables.



In this blog, BlueOptics introduces you to both fiber types of SFP modules, multi-mode and single-mode, and highlights the aspects in which they differ.

Contact Us

For more information, pricing, or custom solutions, please contact us:

Website: <https://samastersbaseball.co.za>

Email: sales@samastersbaseball.co.za

Phone: +27 63 874 2095

Address: 15 Innovation Drive, Technopark, Stellenbosch, 7600, South Africa

This document is for informational purposes only. Specifications subject to change without notice.

