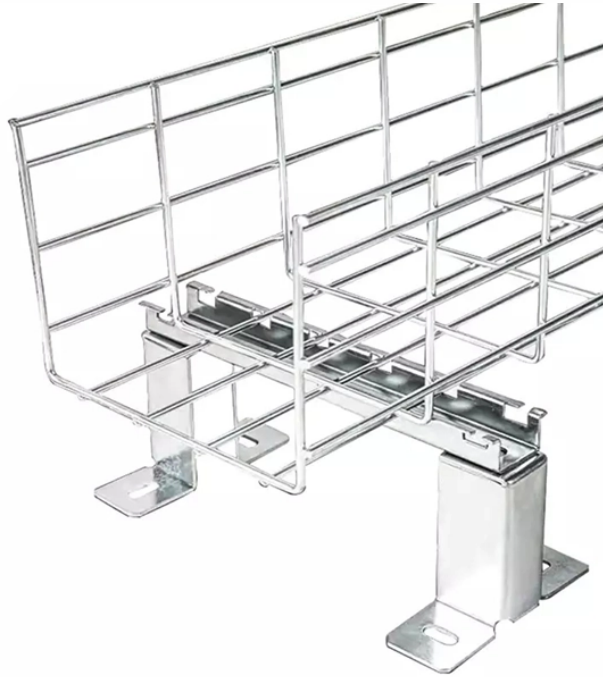


New Zealand secondary distribution box manufacturer price quote



Overview

The product selector guides you through all the possible combinations and accessories, to set up the most suitable bill of material for quotation and ordering. With a rich heritage and position in the market dating back to its founder Bert Teubel in 1955, TEUBEL is proud of its manufacturing history of electrical componentry and metalwork products that cover an extensive range of domestic meter boxes, distribution boards and industrial switchboards. With Cabinets and Link Pillars that ensure cost-effective and efficient maintenance in New Zealand. The CAB10 is designed to house LV electrical equipment such as meters, fuses and. Dynamix FWEIO-12 12 Core Fibre Termination Enclosure Indoor/Outdoor, UV Stabilised Plastic. Dynamix FWEIP48 Lockable Indoor/Outdoor Fibre Termination Box., a subcompany of Yantai Jinbao Precision Printing Equipment co.

New Zealand secondary distribution box manufacturer price quote



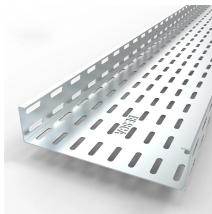
Dynamix FWEIP48 Lockable Indoor/Outdoor Fibre Termination Box. 48 position SC Simplex. IP65, UVResistant.



...Get Current is our quarterly email newsletter that keeps you informed of our latest news, product innovations and special offers.



GAEL is a well recognised and trusted New Zealand brand in the electrical industry for over 50 years producing the iconic GAEL modular distribution boards and control panels.



Cabinets and Link Pillars that ensure cost-effective and efficient maintenance in New Zealand. Engineered with the demands of high traffic environments in mind, the product range stands strong ...



Protect the reliability and efficiency of your processes with a complete range of high-quality, standard and custom enclosures for electrical distribution, data network and industrial automation applications.



Goodada has the largest database of Electrical Enclosures suppliers, with manufacturers located around the world. Your purchased items are kept under strict quality guidelines.



Distribution Boards, Meterboxes & Circuit Breakers from Electrical Direct Ltd,



Distribution Boxes More Categories Flush Distribution Boards Flush Meter Boards Surface Distribution Boards Communications Boards



Distribution Boards, Meterboxes & Circuit Breakers from Electrical Direct Ltd,



Additional information Dizzy or Distribution Box Sizes 2x700EF, 3x700EF, 4x700EF, 5x700EF, 6x700EF, 8x400EF



TRADESAVE Surface Mounted Distribution Board 24 Pole SKU: TSDB24S In stock \$ 112.00 + GST

Contact Us

For more information, pricing, or custom solutions, please contact us:

Website: <https://samastersbaseball.co.za>

Email: sales@samastersbaseball.co.za

Phone: +27 63 874 2095

Address: 15 Innovation Drive, Technopark, Stellenbosch, 7600, South Africa

This document is for informational purposes only. Specifications subject to change without notice.

