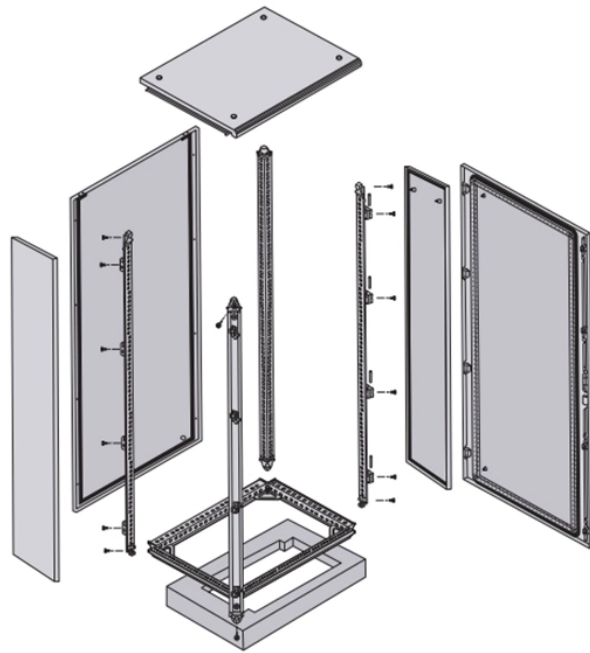


Multimode Fiber Precision Spectrometer



Multimode Fiber Precision Spectrometer



Abstract: A standard multimode optical fiber can be used as a general purpose spectrometer after calibrating the wavelength dependent speckle patterns produced by interference between the guided ...



Compared with existing spectro-meters with comparable resolution and bandwidth, the multimode fiber spectrometer is compact, lightweight, and inexpensive. Furthermore, our technique lends itself to the ...



In this article, we develop a high-resolution single-pixel multimode fiber spectrometer and demonstrate its ability to reconstruct arbitrary spectra. The single-pixel detection is achieved by ...



A general-purpose all-fiber spectrometer is demonstrated to overcome the trade-off between spectral resolution and bandwidth. By integrating a wavelength division multiplexer with five multimode optical ...



This study presents a high-accuracy, all-fiber mode division multiplexing (MDM) reconstructive spectrometer (RS). The MDM was achieved by utilizing a custom-designed 3×1 ...



HORIBA designs and manufactures a large range of custom OEM fiber-coupled, multi-spectra spectrometers capable of simultaneous measurement of up to 32 fiber channels and sequential ...



In this paper, we theoretically and experimentally demonstrate an AI-assisted MMF spectrometer, and examine the limits of the method. The resolution of the spectrometer reached 0.1 ...



In summary, we have proposed and demonstrated a novel fiber-based speckle spectrometer without the need for bulky imaging lenses or infrared cameras. A compact silicon ...



Here, Wanet al. propose a tapered fibre multimode interference spectrometer exhibiting high spectral resolution from the visible to the near infrared in a compact configuration.

Contact Us

For more information, pricing, or custom solutions, please contact us:

Website: <https://samastersbaseball.co.za>

Email: sales@samastersbaseball.co.za

Phone: +27 63 874 2095

Address: 15 Innovation Drive, Technopark, Stellenbosch, 7600, South Africa

This document is for informational purposes only. Specifications subject to change without notice.

