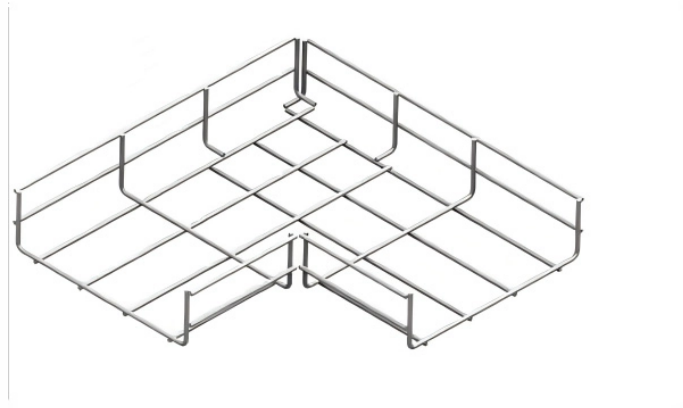


## Latvia 18u Network Cabinet



## Latvia 18u Network Cabinet



Built for durability with heavy-duty cold-rolled steel, this cabinet provides the strength needed to securely mount servers, switches, A/V and other related equipment. This network cabinet is a great option for ...



Shop 18U Server Racks / Cabinets on Newegg . Watch for amazing deals and get great pricing.



18U server cabinets are suitable for applications where space is premium: data ...



**BUILT TO LAST:** The 18U wall-mounted network cabinet offers a 4 post design for additional support of your equipment; Constructed of high-quality SPCC cold-rolled steel for strength and durability with a ...



Wall-mount cabinet secures and organizes 18U of 19-inch rack equipment in network closets, classrooms and other locations with limited floor space. Houses patch panels and shallow network ...



Buy IT-BUDGET SRK 19" 18U network rack cabinet with 600x600 mm depth, 4 fans and PDU — ideal for servers and switches. Delivery to Riga and EU available.



18U server cabinets are suitable for applications where space is premium: data centers, server rooms, or other IT environments. They are also great for organizing larger IT equipment in a smaller floor space.



You can easily install your devices into the floor standing server cabinet. > The server cabinet does not only come with window but also give the excellent ventilation from the top and down.



Buy Q-LANTEC 19" wall-mounted network cabinet SW-18U-600-500 for 19" equipment — 18U rack space. Delivery available in Riga, Latvia and other European countries.



Find durable 18U network racks built from cold-rolled steel. Perfect for organizing servers, switches, and audio-video equipment.



From standard 1U to 8U sizes to fully customized Non-standard enclosures.

The 18U network cabinet features a removable and reversible front door and removable side panels, each with quick-release mechanisms, so you can easily access your equipment.

## Contact Us

For more information, pricing, or custom solutions, please contact us:

Website: <https://samastersbaseball.co.za>

Email: [sales@samastersbaseball.co.za](mailto:sales@samastersbaseball.co.za)

Phone: +27 63 874 2095

Address: 15 Innovation Drive, Technopark, Stellenbosch, 7600, South Africa

This document is for informational purposes only. Specifications subject to change without notice.

