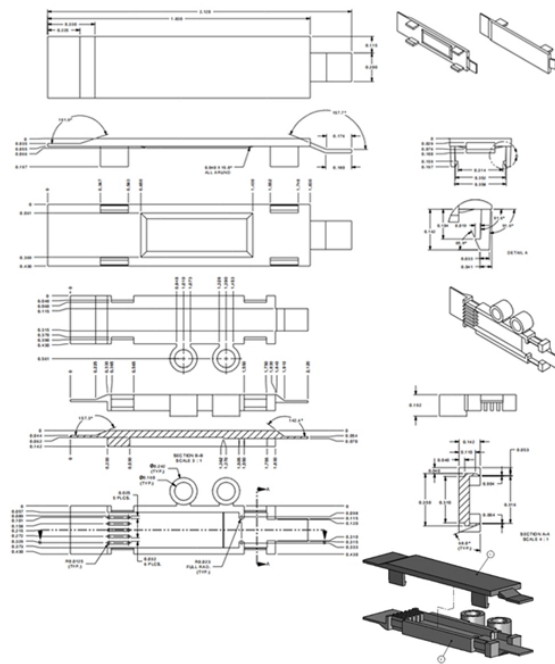


# Java s t interface



## Overview

The ST class represents an ordered symbol table of generic key-value pairs. It supports the usual put, get, contains, remove, size, and is-empty methods. equals(e2), and at most one null element. As implied by its name, this interface models the mathematical set abstraction. It can contain at most one null value except. The Set interface is part of the Java Collections Framework and is used to store a collection of unique elements.

## Java set interface



As implied by its name, this interface models the mathematical set abstraction. The Set interface places additional stipulations, beyond those inherited from the Collection interface, on the contracts of all ...



It requires that the key type implements the Comparable interface and calls the compareTo() and method to compare two keys. It does not call either equals() or hashCode(). This implementation ...



Understand the Set Interface in Java, a Collection Framework type that ensures unique elements. Learn its types, features, and key methods for managing sets.



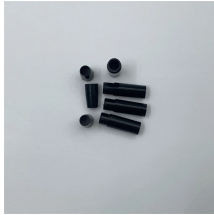
The Set interface is part of the Java Collections Framework and is used to store a collection of unique elements. Unlike a List, a Set does not allow duplicates, and it does not preserve the order of ...



The Java Set interface is a powerful tool in the Java Collections Framework. It provides a way to store unique elements and perform various set-related operations.



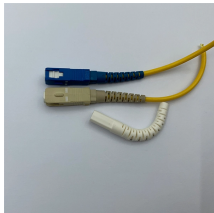
The Set interface is part of the Java Collections Framework and represents a collection that does not allow duplicate elements. It models the mathematical set abstraction and provides ...



In Java, the Set interface is a part of the Java Collection Framework, located in the java.util package. It represents a collection of unique elements, meaning it does not allow duplicate values.



This blog post will explore their concept, understand their purpose, and delve into their syntax and implementing interface in java examples. So, let's demystify Java interfaces and discover how they ...



Discover the essentials of the Set interface in Java with this complete beginner's tutorial, featuring examples and practical tips for effective usage. In modern programming, managing groups ...

## Contact Us

For more information, pricing, or custom solutions, please contact us:

Website: <https://samastersbaseball.co.za>

Email: [sales@samastersbaseball.co.za](mailto:sales@samastersbaseball.co.za)

Phone: +27 63 874 2095

Address: 15 Innovation Drive, Technopark, Stellenbosch, 7600, South Africa

This document is for informational purposes only. Specifications subject to change without notice.

