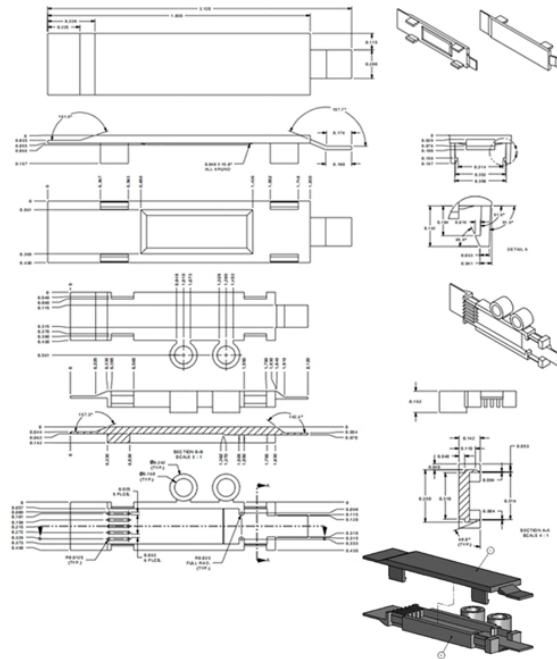


Installation of electricity meters in industrial distribution boxes



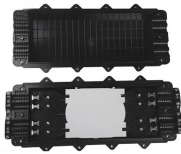
Installation of electricity meters in industrial distribution boxes



Learn how to install an electric meter box safely, including location, utility rules, wiring basics, and common mistakes.



Learn how to install a distribution box safely and correctly. Covers wiring, placement, standards, and expert tips for a compliant setup.



This section of the manual provides the service specifications and requirements for commercial and industrial electric meters. Also, it describes the required locations for those meters.



This document specifies pole-top metering installations for new service and Net Generation Output Metering (NGOM) installations using outdoor-type instrument transformers cluster mounted on a ...



All meter and service equipment installations shall comply with the service requirements of CRA-ES and with rules and regulations of the inspection authorities having jurisdiction. All meter sockets and ...



This guide explains everything professionals need to know about electrical meter boxes: their types, key specifications, installation standards, and cost considerations.

Meter protection controller



At a point to be mutually agreed upon, the Customer will provide a suitable location on his premises for the installation of the Company's meter and other equipment necessary for the Company to provide ...



Our temporary power equipment warehouses are fully stocked with meter panels, switchgear, distribution equipment, transformers, power poles & wire.



Service equipment assembly drawings showing the space required and the equipment configuration may be obtained from the DTE Electric Service Center upon request. The DTE Electric Planner will ...

Contact Us

For more information, pricing, or custom solutions, please contact us:

Website: <https://samastersbaseball.co.za>

Email: sales@samastersbaseball.co.za

Phone: +27 63 874 2095

Address: 15 Innovation Drive, Technopark, Stellenbosch, 7600, South Africa

This document is for informational purposes only. Specifications subject to change without notice.

