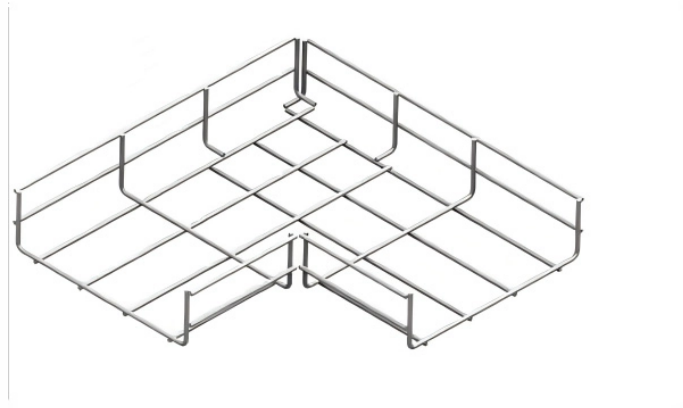


Industrial-grade transceiver switches



Industrial-grade transceiver switches



CTC Union offers a full spectrum of products, including Industrial SFP Transceiver, Industrial Ethernet, PoE, EN50155 and E-Mark certified switches. CTC Union's ...



Our switches are built for high network flexibility, cyber security and durability and are suitable for use in mission-critical environments.



CTC Union offers a full spectrum of products, including Industrial SFP Transceiver, Industrial Ethernet, PoE, EN50155 and E-Mark certified switches. CTC Union's goal is to provide reliable, temperature ...



Moxa's Layer 2 managed switches feature industrial-grade reliability, network redundancy, and security features based on the IEC 62443 standard.



Siemens' RUGGEDCOM SFP1112-1 industrial grade 1 Gbps copper SFP transceiver operates within a wide temperature range (0 to 70 °C or 32 to 158 °F) and provides high performance Gigabit Ethernet ...



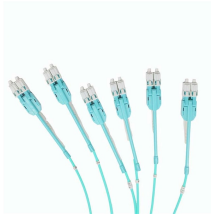
Based on Inscape Data's patent-protected technology, the LinkPower™ LPS outdoor PoE switch products offer a unique combination of flexible installation and remote management features, which ...



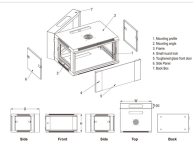
Compatibility in your network is everything, and this SFP Transceiver Module delivers. Use it with any Intellinet SFP equipped network switch or any other Multi Source Agreement (MSA) compliant SFP ...



Widely used in network switch, server, or NIC with SFP+ to a 10 Gigabit fiber channel network with multimode LC for Network Attached Storage (NAS), Storage Area Network (SAN), and ...



Industrial transceiver module links a Gigabit Ethernet network fiber cable to the SFP port on a switch, firewall or other network device.



This transceiver module is fully hot-pluggable, so you can install it without a potentially costly network shutdown or device reboot. Just plug the SFP end of the transceiver into your network device. The ...



The high-quality, small form-factor pluggable (SFP) and 10G small form-factor pluggable (XFP) transceivers are tested and approved to work under the same environmental conditions as ...

Contact Us

For more information, pricing, or custom solutions, please contact us:

Website: <https://samastersbaseball.co.za>

Email: sales@samastersbaseball.co.za

Phone: +27 63 874 2095

Address: 15 Innovation Drive, Technopark, Stellenbosch, 7600, South Africa

This document is for informational purposes only. Specifications subject to change without notice.

