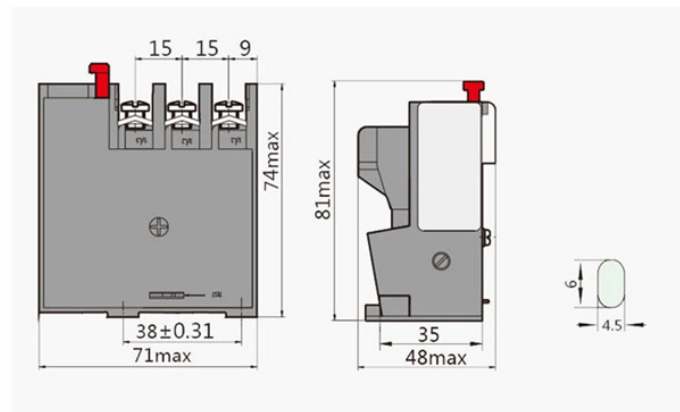


How to check the model number of a complete electrical distribution box



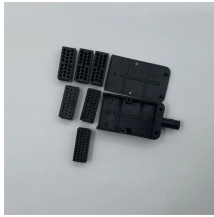
Overview

Carefully open the door of the circuit breaker distribution panel and look for any labels inside that offer model numbers or specifications. Major manufacturers like Square D are easy to recognize, but obscure and defunct brands of a bygone era can be problematic. It is usually located in a utility room, basement, garage, or occasionally outside. On the outside Carton Label of the box, which is located at one of the ends of the carton. The model. The electrical panel in your home is the unsung hero, silently distributing power throughout your house.

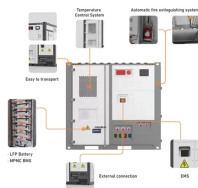
How to check the model number of a complete electrical distribution



Knowing your panel's brand is the first step to a safe and efficient electrical system. Now that you know the brand, research it and make informed decisions on repairs, upgrades or replacement.



CHECK definition: to stop or arrest the motion of suddenly or forcibly. See examples of check used in a sentence.



The meaning of CHECK is to inspect, examine, or look at appraisingly or appreciatively —usually used with out or over. How to use check in a sentence. Synonym Discussion of Check.



CHECK meaning: 1. to make certain that something or someone is correct, safe, or suitable by examining it, him, or.... Learn more.



The electrical panel in your home is the unsung hero, silently distributing power throughout your house. But when it comes to troubleshooting, repairs, or even future upgrades, knowing your panel's type is ...



Your breaker panel controls the electrical distribution throughout your home from a single location—and it's easier to understand than you might expect. This guide will show you how to read ...



Video: How to locate catalog number, series number, and date code on QO and Homeline load centers. On the outside Carton Label of the box, which is located at one of the ends of ...



To gather more information about your electrical panel, you can start by determining the manufacturer's name and model number. This information is typically located on the panel's door or ...



It is usually as obvious as on the ITE panel shown above, but not always. Or the manufacturer's name may be on the latch for the panel door, like Thomas & Betts or Eaton below.



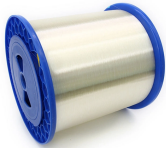
You might feel a little nervous about opening your distribution box, but you can do it safely if you follow some simple steps. Let's walk through what you need to know before you start.



Be careful to check for any mistakes. The border guards checked in my luggage for contraband.



Check definition: A written order to a bank to pay the amount specified from funds on deposit; a draft.



FPE Stab-Lok® identification from electrical panel door labels: this article describes how to identify Federal Pacific Stab-Lok® Electric Panels and circuit breakers in buildings by information printed on ...



Carefully open the door of the circuit breaker distribution panel and look for any labels inside that offer model numbers or specifications. Often, there's a label on the panel door providing ...



What does "check" really mean in different contexts? Discover its origins and how it became a universal term for validation and control.



To gather more information about your electrical panel, you can start ...



Is your old breaker box a safety risk? This guide shows you how to decode date codes and serial numbers to determine its age and condition. Check your panel today.



Ever wonder how to read numbers on a check, specifically the routing number vs. account number? The routing number is the first set of digits on the left side. These nine numbers ...

Contact Us

For more information, pricing, or custom solutions, please contact us:

Website: <https://samastersbaseball.co.za>

Email: sales@samastersbaseball.co.za

Phone: +27 63 874 2095

Address: 15 Innovation Drive, Technopark, Stellenbosch, 7600, South Africa

This document is for informational purposes only. Specifications subject to change without notice.

